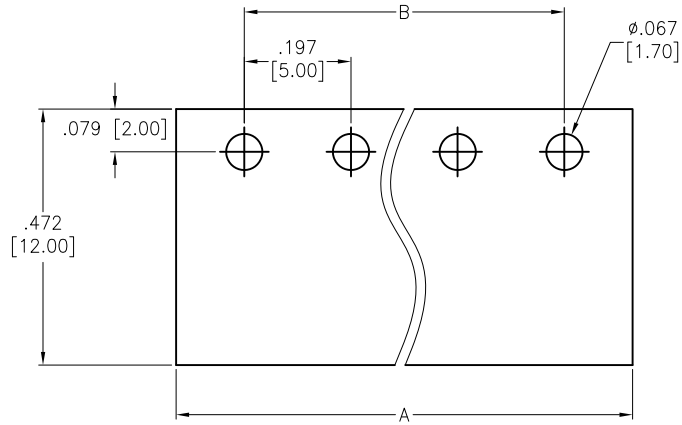
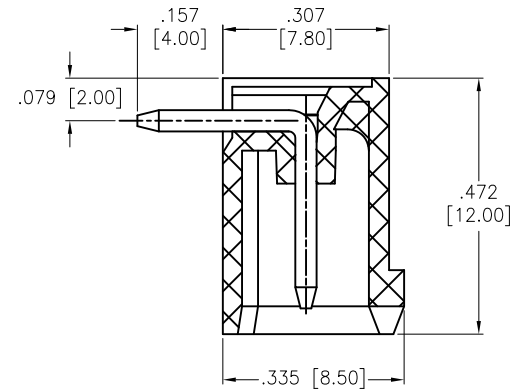
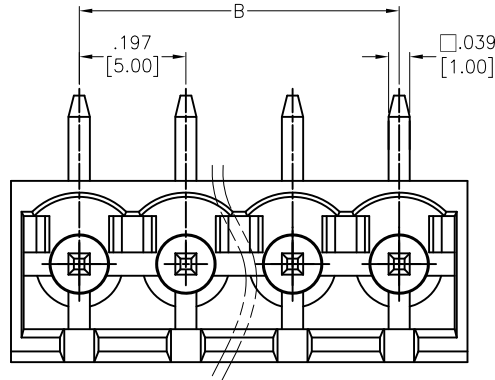
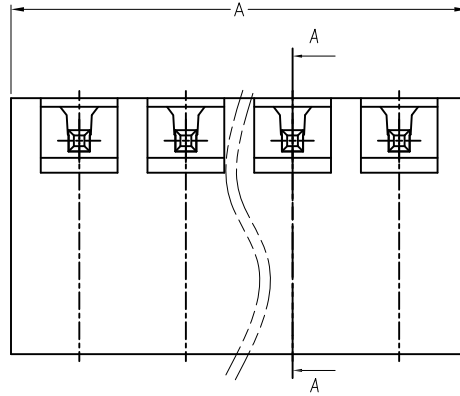


APPROVED: _____
 DATE: _____ TITLE: _____

Rev	AWO #	Description	Date	Appr
-		RELEASED	4/8/15	
A		UPDATE SPEC.	1/14/21	LH/LX



RECOMMENDED PCB LAYOUT



SECTION A-A

Positions: 02 thru 24
 A = .197 [5.00] x No. of Positions + .055 [1.40]
 B = .197 [5.00] x No. of Spaces

SPECIFICATIONS:

Material:
 Insulator: PA66, rated UL 94V-0
 Insulator color: Green
 Contacts: Copper Alloy, Tin plated
 Electrical:
 Voltage rated: 300 V
 Current rated: 15 A
 Dielectric withstanding voltage: 1,600 VAC for 1 minute
Temperature Rating:
 Operating temperature: -40°C to +105°C
 Environmental:
 Lead free, RoHS compliant.



UNLESS OTHERWISE SPECIFIED
 ALL DIMENSIONS ARE MM [INCHES]
 TOLERANCES: EXCEPT AS NOTED

INCHES		HOLES	
.X	± .10	Ø.X	± .10
.XX	± .020	Ø.XX	± .015
.XXX	± .015	Ø.XXX	± .010



909 Rahway Avenue,
 Union, NJ 07083
 Phone: 908-687-5000
 Fax: 908-687-5710

APPROVALS		DATE
DRAWN	HR	4/8/15
CHECKED	NC	4/8/15
APPROVED		

TITLE
 .197 [5.00] PITCH, EURO BLOCK HEADER
 RIGHT ANGLE, CLOSE SIDE

SIZE	PART NO.	REV.
X	EBQA-XX-C-C	A
REF: S00067C	SCALE: NTS	SHEET 1 OF 1